

Pin

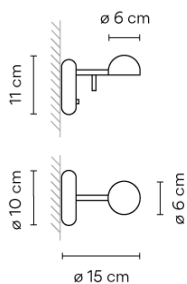
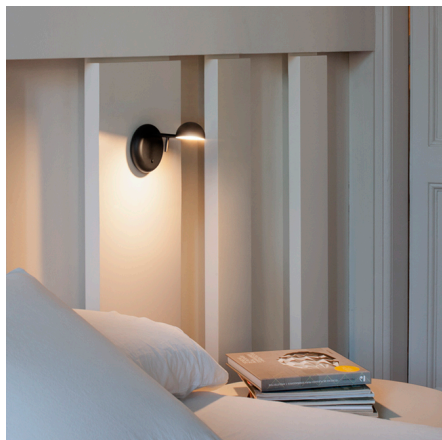
1675

VIBIA

Design By Ichiro Iwasaki

Wall lamp. Design by Ichiro Iwasaki. Wall light for reading, ideal for bedrooms. The diffuser can turn and rotate to bring the light to where it is needed. Available in white, black, cream and green matt finishes.

Model Sheet



Min. quantity, upcharge and extra lead time apply

Finish

● 11 Black
NCS S 8500-N

● 58 Cream
NCS S 2005-Y20R

● 23 Warm White
test ral

LED 2700 K

Control On/Off

Electrical connection Surface Canopy

Light source 1 x LED 4,48W 350mA



LED CRI>90 452.95 lm 100.66

2700 K

Driver Constant Current 350 mA 100~240 V

50~60 Hz



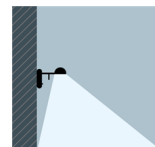
Application Wall

Packaging 1 Box
0.148 m x 0.161 m x 0.193 m
Gross weight 0.9 kg
Net weight 0.4 kg
Vol. 0.0045 m³

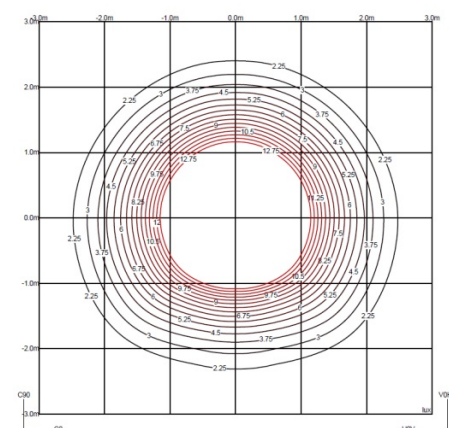
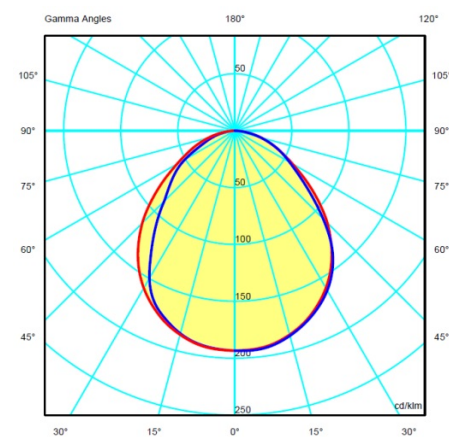
Lighting effect

Reading

High intensity, glare-free task lighting



Photometric Data



Efficiency 31.88 lm/W
Coordinate System CG
Total Flux 192.18 lm
Maximum Value 80.54 cd

All of our products come with a five-year warranty. Check our legal terms at www.vibia.com/warranty

Vibia Lighting, S.L.U.

Office / Oficina

Progrés 4-6, 08850 Gavà, Barcelona, Spain.

International T +34 934 796 971

Spain / Portugal T +34 934 796 970

customer.service@vibia.com

vibia.com

Pin

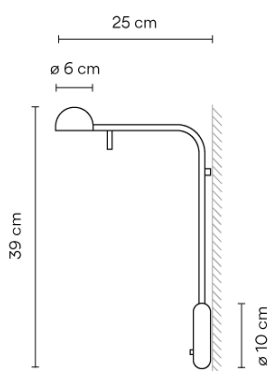
1680

Design By Ichiro Iwasaki

Wall lamp. Design by Ichiro Iwasaki. Wall light for reading, ideal for bedrooms. The diffuser can turn and rotate to bring the light to where it is needed. Available in white, black, cream and green matt finishes.

VIBIA

Model Sheet



Finish

62 Green
NCS S 3010-G20Y

23 Warm White
test ral

11 Black
NCS S 8500-N

LED

2700 K

Control

On/Off

Electrical connection Surface Canopy

Light source

1 x LED 4,48W 350mA



LED

CRI>90 452.95 lm 100.66
2700 K

Driver

Constant Current 350 mA 100~240 V
50~60 Hz



Application

Wall

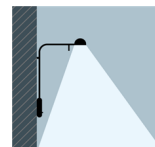
Packaging

1 Box
0.473 m x 0.355 m x 0.146 m
Gross weight 1.5 kg
Net weight 1 kg
Vol. 0.0245 m³

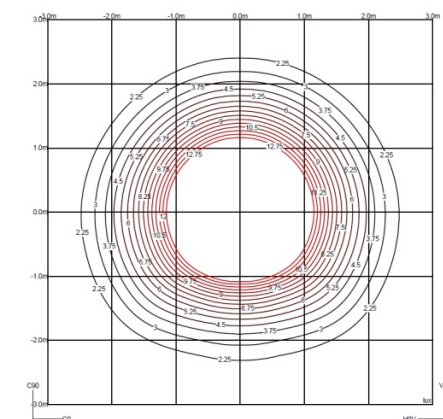
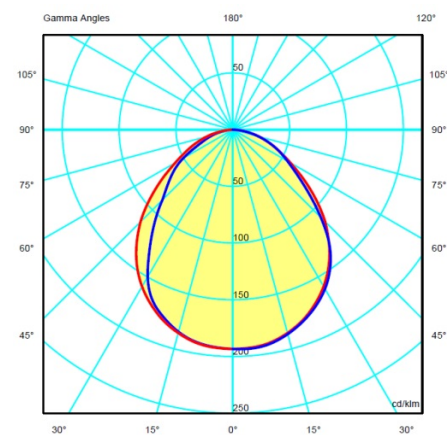
Lighting effect

Reading

High intensity, glare-free task lighting



Photometric Data



Efficiency 31.88 lm/W
Coordinate System CG
Total Flux 192.18 lm
Maximum Value 80.54 cd

Min. quantity, upcharge and extra lead time apply

All of our products come with a five-year warranty. Check our legal terms at www.vibia.com/warranty

Vibia Lighting, S.L.U.

Office / Oficina

Progrés 4-6, 08850 Gavà, Barcelona, Spain.

International T +34 934 796 971

Spain / Portugal T +34 934 796 970

customer.service@vibia.com

vibia.com

Pin

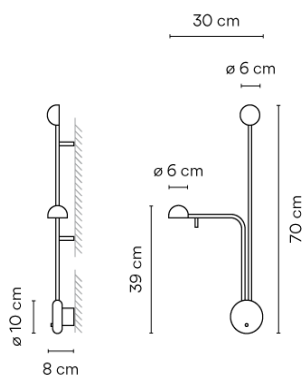
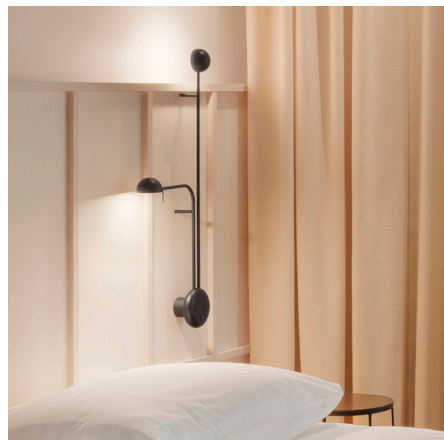
1685

Design By Ichiro Iwasaki

VIBIA

Wall lamp. Design by Ichiro Iwasaki. Wall light which provides passageways with ambient illumination via indirect light. Available in white, black, cream and green matt finishes.

Model Sheet



Finish

11 Black
NCS S 8500-N

58 Cream
NCS S 2005-Y20R

23 Warm White
test ral

LED

2700 K

Control

On/Off

Electrical connection Surface Canopy

Light source

2 x LED 4,48W 350mA



LED

CRI>90 905.9 lm 100.66
2700 K

Driver

Constant Current 350 mA 100-240 V
50-60 Hz



Application

Wall

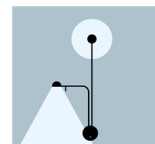
Packaging

1 Box
0.792 m x 0.445 m x 0.177 m
Gross weight 2.64 kg
Net weight 1.2 kg
Vol. 0.0623 m³

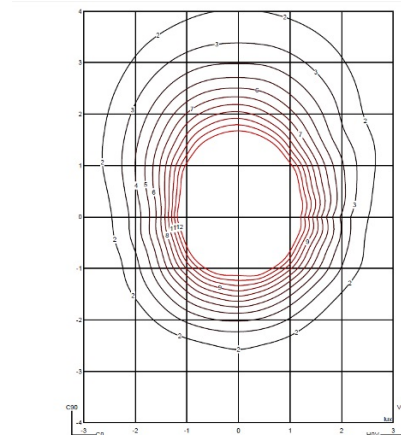
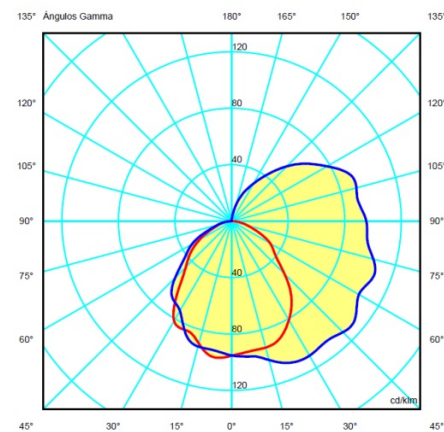
Lighting effect

Reading

High intensity, glare-free task lighting



Photometric Data



Efficiency 46.09%
Coordinate System CG
Total Flux 900.00
Maximum Value 112.33

Min. quantity, upcharge and extra lead time apply

All of our products come with a five-year warranty. Check our legal terms at www.vibia.com/warranty

Vibia Lighting, S.L.U.

Office / Oficina
Progrés 4-6, 08850 Gavà, Barcelona, Spain.

International T +34 934 796 971
Spain / Portugal T +34 934 796 970

customer.service@vibia.com
vibia.com

Pin

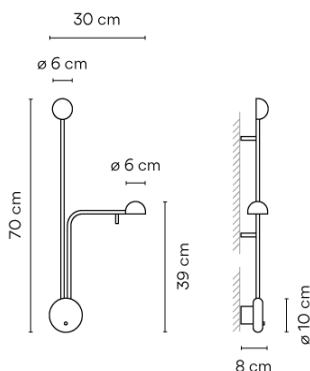
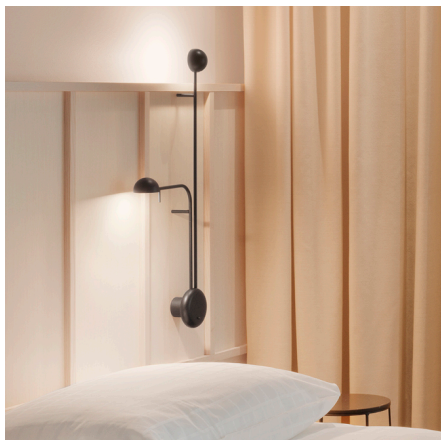
1686

Design By Ichiro Iwasaki

VIBIA

Wall lamp. Design by Ichiro Iwasaki. Wall light which provides passageways with ambient illumination via indirect light. Available in white, black, cream and green matt finishes.

Model Sheet



Finish

- 11 Black
NCS S 8500-N
- 62 Green
NCS S 3010-G20Y
- 23 Warm White
test ral

LED 2700 K

Control On/Off

Electrical connection Surface Canopy

Light source 2 x LED 4,48W 350mA



LED CRI>90 905.9 lm 100.66
2700 K

Driver Constant Current 350 mA 100-240 V
50-60 Hz



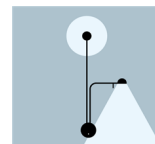
Application Wall

Packaging 1 Box
0.792 m x 0.445 m x 0.177 m
Gross weight 2.64 kg
Net weight 1.2 kg
Vol. 0.0623 m³

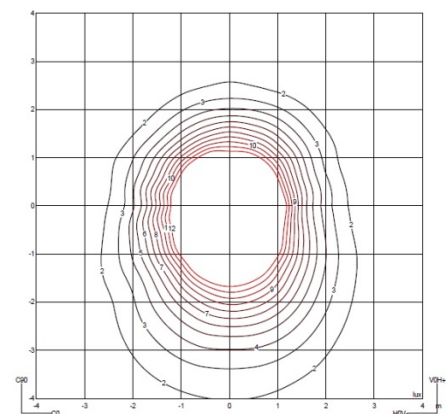
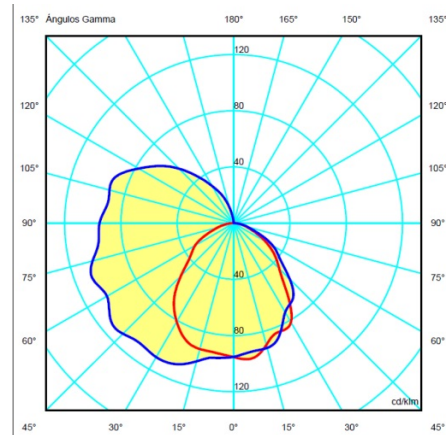
Lighting effect

Reading

High intensity, glare-free task lighting



Photometric Data



Efficiency 46.09%
Coordinate System CG
Total Flux 900.00
Maximum Value 112.33

Min. quantity, upcharge and extra lead time apply

All of our products come with a five-year warranty. Check our legal terms at www.vibia.com/warranty

Vibia Lighting, S.L.U.

Office / Oficina
Progrés 4-6, 08850 Gavà, Barcelona, Spain.

International T +34 934 796 971
Spain / Portugal T +34 934 796 970

customer.service@vibia.com
vibia.com