

Pin

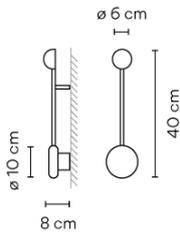
1690

VIBIA

Design By Ichiro Iwasaki

Wall lamp. Design by Ichiro Iwasaki. Wall light which provides passageways with ambient illumination via indirect light. Available in white, black, cream and green matt finishes.

Model Sheet



Finish

- 11 Black
NCS S 8500-N
- 62 Green
NCS S 3010-G20Y
- 23 Warm White
test ral

LED

2700 K

Control

On/Off

Electrical connection Surface Canopy

Light source

1 x LED 4,48W 350mA



LED

CRI>90 452.95 lm 100.66
2700 K

Driver

Constant Current 350 mA 100~240 V
50~60 Hz



Application

Wall

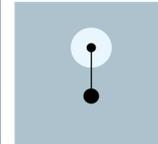
Packaging

1 Box
0.473 m x 0.355 m x 0.146 m
Gross weight 1.6 kg
Net weight 0.8 kg
Vol. 0.0245 m³

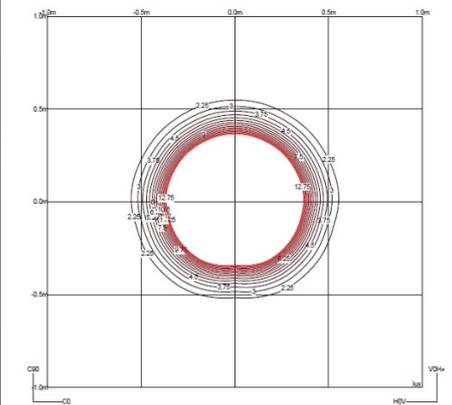
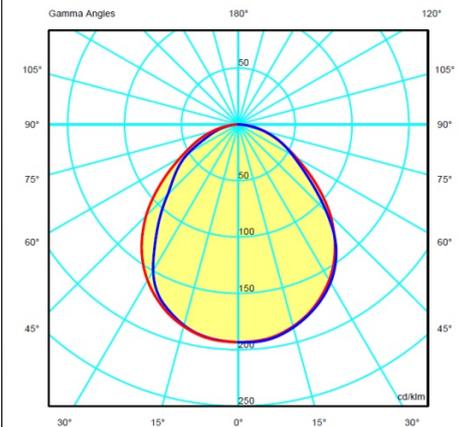
Lighting effect

360° Surface Grazer

Full-circle grazing light.



Photometric Data



Efficiency 31.88 lm/W
Coordinate System CG
Total Flux 192.18 lm
Maximum Value 80.54 cd

Min. quantity, upcharge and extra lead time apply

All of our products come with a five-year warranty. Check our legal terms at www.vibia.com/warranty

Vibia Lighting, S.L.U.

Office / Oficina

Progrés 4-6, 08850 Gavà, Barcelona, Spain.

International T +34 934 796 971

Spain / Portugal T +34 934 796 970

customer.service@vibia.com

vibia.com

Pin

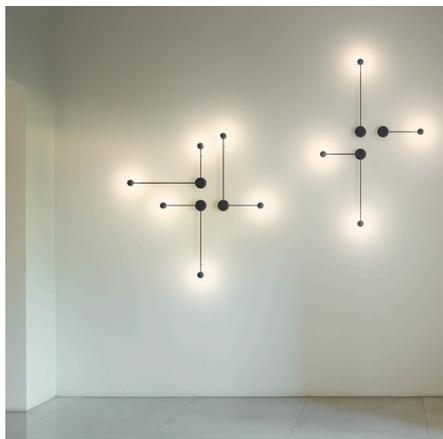
1692

VIBIA

Design By Ichiro Iwasaki

Wall lamp. Design by Ichiro Iwasaki. Wall light which provides passageways with ambient illumination via indirect light. Available in white, black, cream and green matt finishes.

Model Sheet



Finish

23 Warm White
test ral

11 Black
NCS S 8500-N

58 Cream
NCS S 2005-Y20R

LED

2700 K

Control

On/Off

Electrical connection Surface Canopy

Light source

1 x LED 4,48W 350mA



LED

CRI>90 452.95 lm 100.66
2700 K

Driver

Constant Current 350 mA 100~240 V
50~60 Hz



Application

Wall

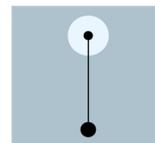
Packaging

1 Box
0.792 m x 0.445 m x 0.177 m
Gross weight 2.44 kg
Net weight 1 kg
Vol. 0.0623 m³

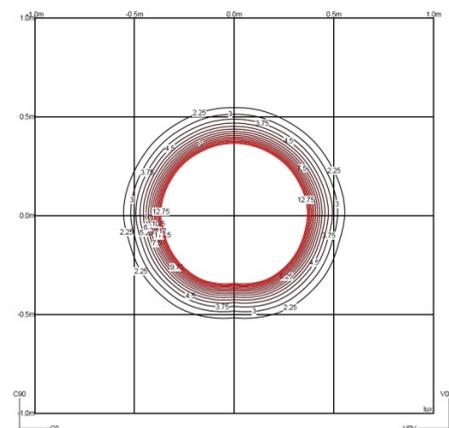
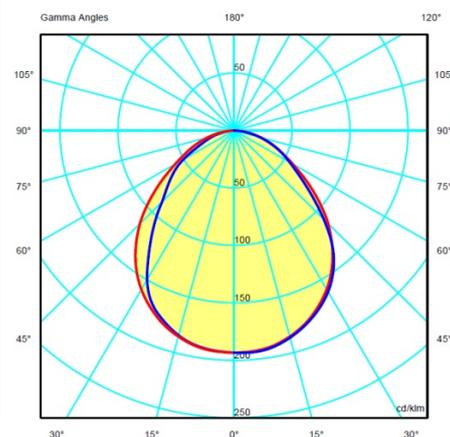
Lighting effect

360° Surface Grazer

Full-circle grazing light.



Photometric Data



Efficiency 46.31%
Coordinate System CG
Total Flux 449.94
Maximum Value 193.70

Min. quantity, upcharge and extra lead time apply

All of our products come with a five-year warranty. Check our legal terms at www.vibia.com/warranty

Vibia Lighting, S.L.U.

Office / Oficina

Progrés 4-6, 08850 Gavà, Barcelona, Spain.

International T +34 934 796 971

Spain / Portugal T +34 934 796 970

customer.service@vibia.com

vibia.com

Pin

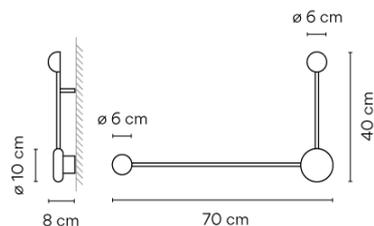
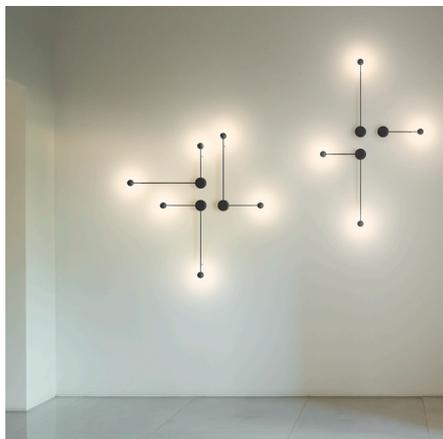
1694

VIBIA

Design By Ichiro Iwasaki

Wall lamp. Design by Ichiro Iwasaki. Wall light which provides passageways with ambient illumination via indirect light. Available in white, black, cream and green matt finishes.

Model Sheet



Finish

23 Warm White
test ral

58 Cream
NCS S 2005-Y20R

11 Black
NCS S 8500-N

LED

2700 K

Control

On/Off

Electrical connection Surface Canopy

Light source

2 x LED 4,48W 350mA



LED

CRI>90 905.9 lm 100.66
2700 K

Driver

Constant Current 350 mA 100-240 V
50-60 Hz



Application

Wall

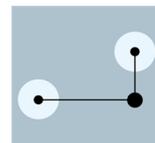
Packaging

1 Box
0.792 m x 0.445 m x 0.177 m
Gross weight 2.84 kg
Net weight 1.4 kg
Vol. 0.0623 m³

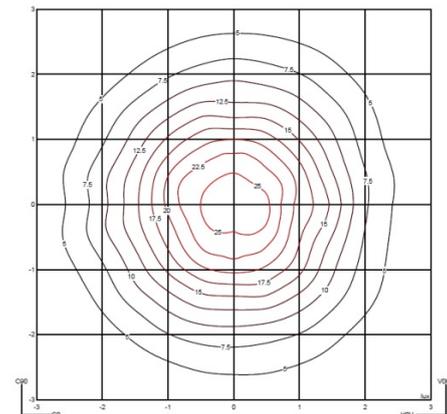
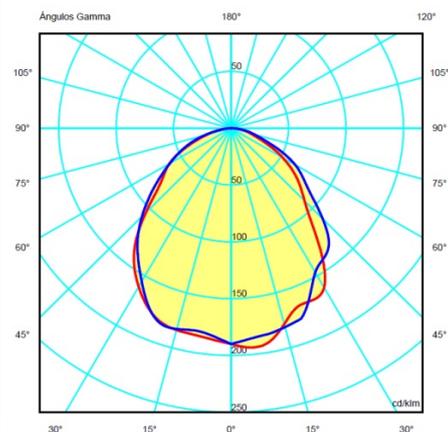
Lighting effect

360° Surface Grazer

Full-circle grazing light.



Photometric Data



Efficiency 46.35%
Coordinate System CG
Total Flux 900.00
Maximum Value 192.66

Min. quantity, upcharge and extra lead time apply

All of our products come with a five-year warranty. Check our legal terms at www.vibia.com/warranty

Vibia Lighting, S.L.U.

Office / Oficina
Progrés 4-6, 08850 Gavà, Barcelona, Spain.

International T +34 934 796 971
Spain / Portugal T +34 934 796 970

customer.service@vibia.com
vibia.com