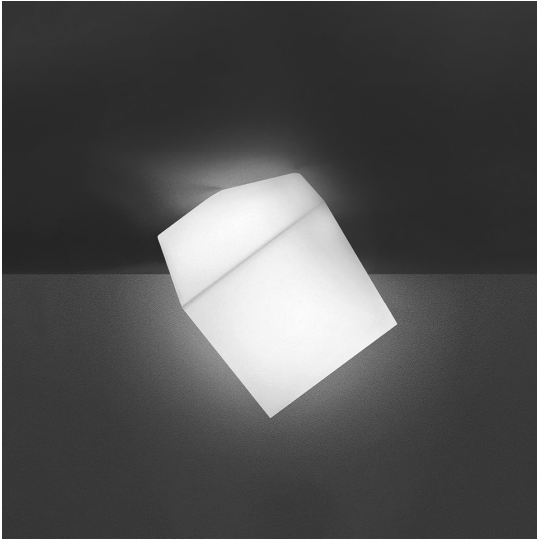
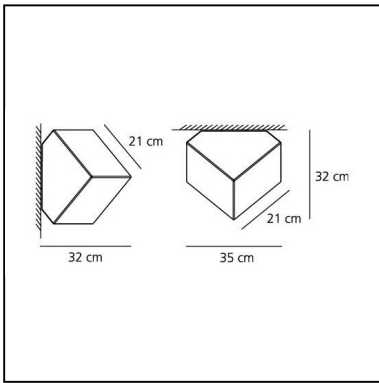


Edge 21 - Wall/Ceiling

Alessandro Mendini



IP65   Dimmerable: 



LUMINAIRE

- Watt: **13W**
- Voltage: **220V-240V**
- Delivered lumen output: **1076lm**
- Efficiency: **71%**
- Efficacy: **82.76lm/W**
- CRI: **80**

Notes

The IP 65 degree of protection makes it also suitable for outdoor application.

DESCRIPTION

A large cube that emerges from the ceiling or wall - perfect for indoor and outdoor spaces.

FEATURES

- Product Code: **1292010A**
- Colour: **White**
- Installation: **Ceiling**
- Material: **Technopolymer**
- Series: **Design Collection**
- Environment: **Indoor**
- Area contract: **Hospitality, Residential**
- Emission: **Diffused**
- design by: **Alessandro Mendini**

DIMENSIONS

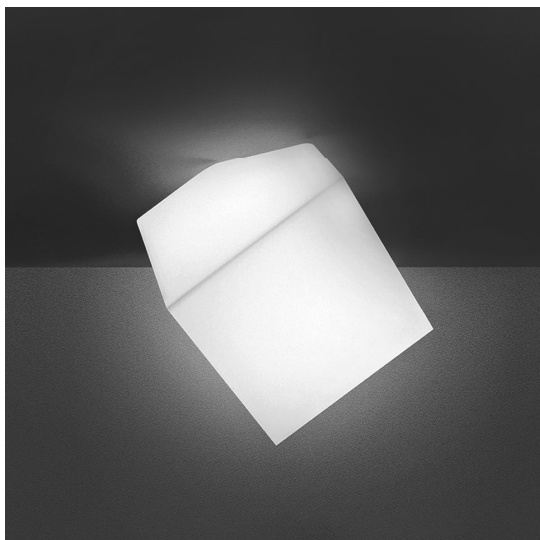
- Width: **350 mm**
- Height: **320 mm**
- Impact Resistance: **N/D**
- Glow Wire Test: **750°C**

SOURCES NOT INCLUDED

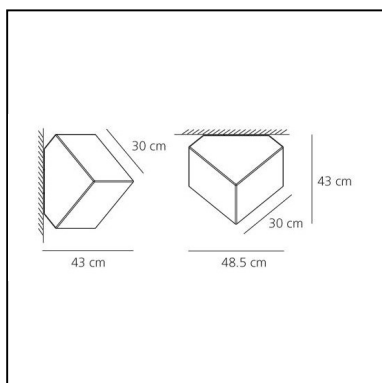
- Category: **LED RETROFIT**
- Number: **1**
- Socket: **E27**

Edge 30 - Wall/Ceiling

Alessandro Mendini



IP65   Dimmerable: 



LUMINAIRE

- Watt: **13W**
- Voltage: **220V-240V**
- Delivered lumen output: **1076lm**
- Efficiency: **71%**
- Efficacy: **82.76lm/W**
- CRI: **80**

Notes

The IP 65 degree of protection makes it also suitable for outdoor application.

DESCRIPTION

A large cube that emerges from the ceiling or wall - perfect for indoor and outdoor spaces.

FEATURES

- Product Code: **1293010A**
- Colour: **White**
- Installation: **CeilingWall**
- Material: **Technopolymer**
- Series: **Design Collection**
- Environment: **Indoor**
- Area contract: **Hospitality, Residential**
- Emission: **Diffused**
- design by: **Alessandro Mendini**

DIMENSIONS

- Width: **485 mm**
- Height: **430 mm**
- Impact Resistance: **N/D**
- Glow Wire Test: **750°C**

SOURCES NOT INCLUDED

- Category: **LED RETROFIT**
- Number: **1**
- Socket: **E27**